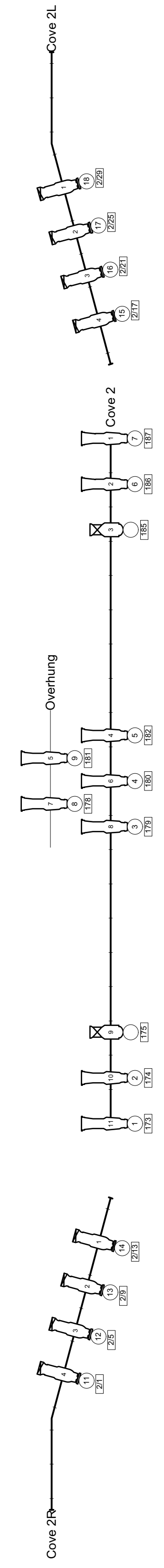
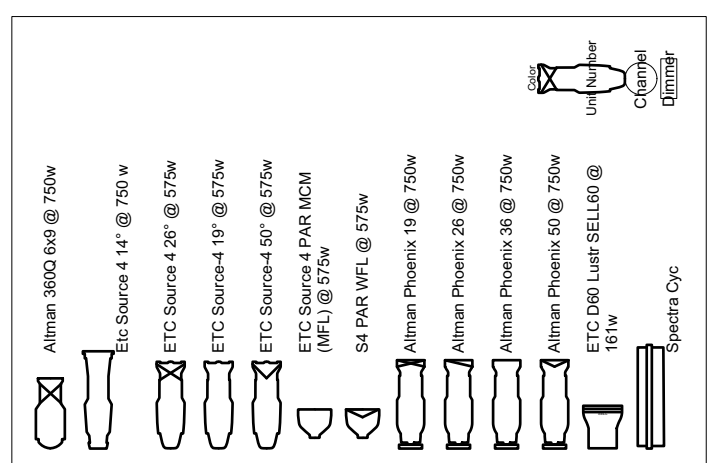


30	Full Stage Blackout
29	Sky Blue Cyc-White Cyc
27	Star Drop
26	4th Electric
25	CPU
24	3rd Electric @20'-0"
23	Legs #3
22	Border #4 @16'-0"
21	White Scrim
19	Black Scrim
17	Border #3 @16'-0"
16	Midstage Traveler
14	2nd Electric @20'-0"
13	CPU
12	Border #2 @16'-0"
11	
10	Movie Screen
9	Legs #2
8	Legs #2
7	(Not Usable)
6	1st Electric @20'-0"
5	Olc
4	Border #1 @16'-0"
3	Aux Electric @20'-0"
2	Legs #1
1	House Curtain



REP PLOT - 2018

SHELDON THEATER

1/4" = 1'-0"